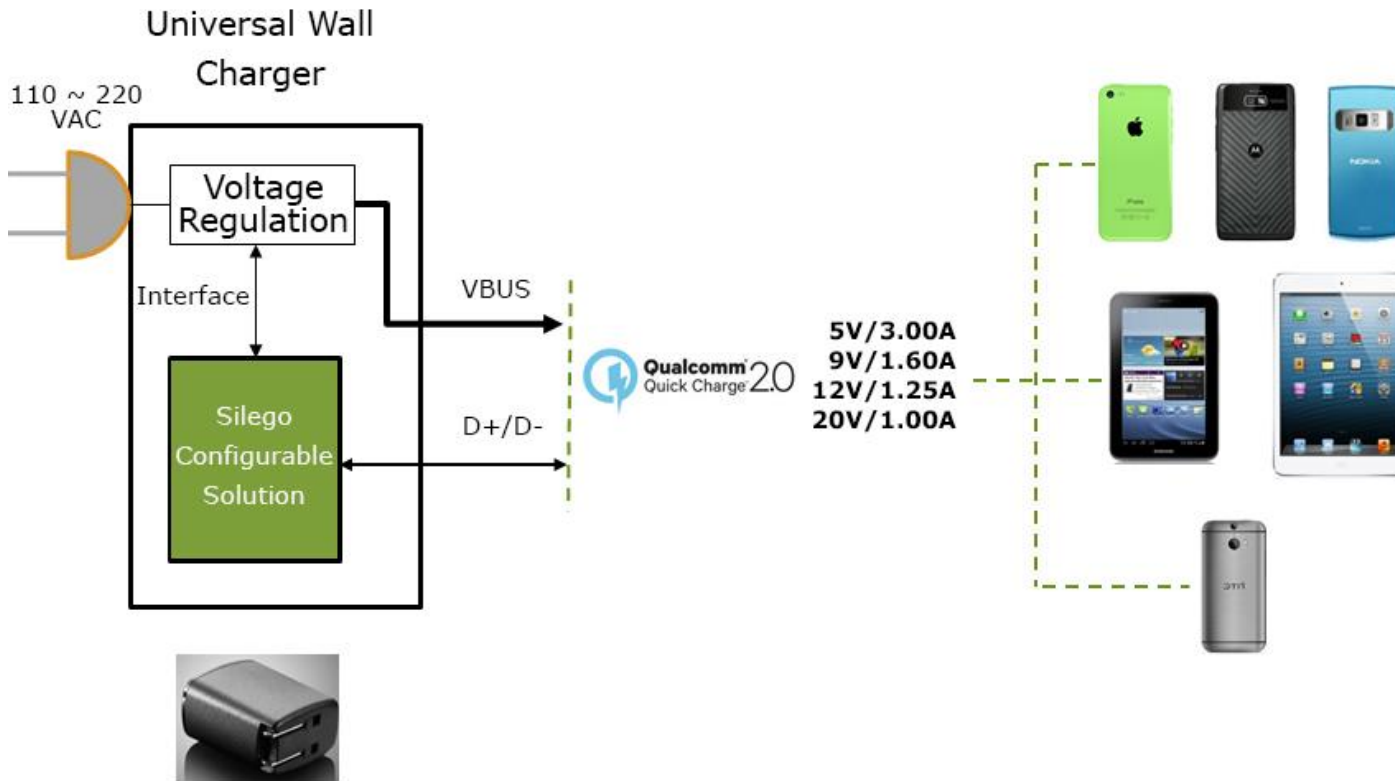


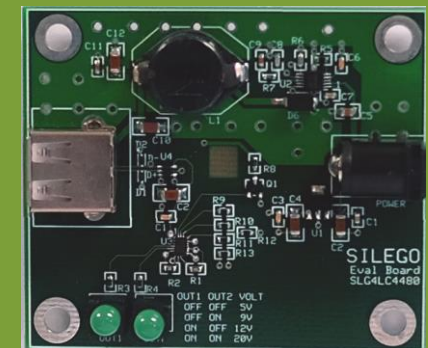
Silego's advanced, NVM-based, Configurable Mixed-Signal IC (CMIC) solutions combine and consolidate USB BC 1.2 (including Apple 2.4 A) and Qualcomm® Quick Charge™ 2.0 battery-charging identification requirements into cost-effective and small-form factor solutions. New or custom features can be added to these easy-to-modify CMICs to speed up time-to-market from concept to production in a matter of weeks instead of months. All Silego solutions are Qualcomm approved and Underwriters Laboratories certified.

Quick Charge CMIC's Enable "Universal" Solutions



TARGET APPLICATIONS:

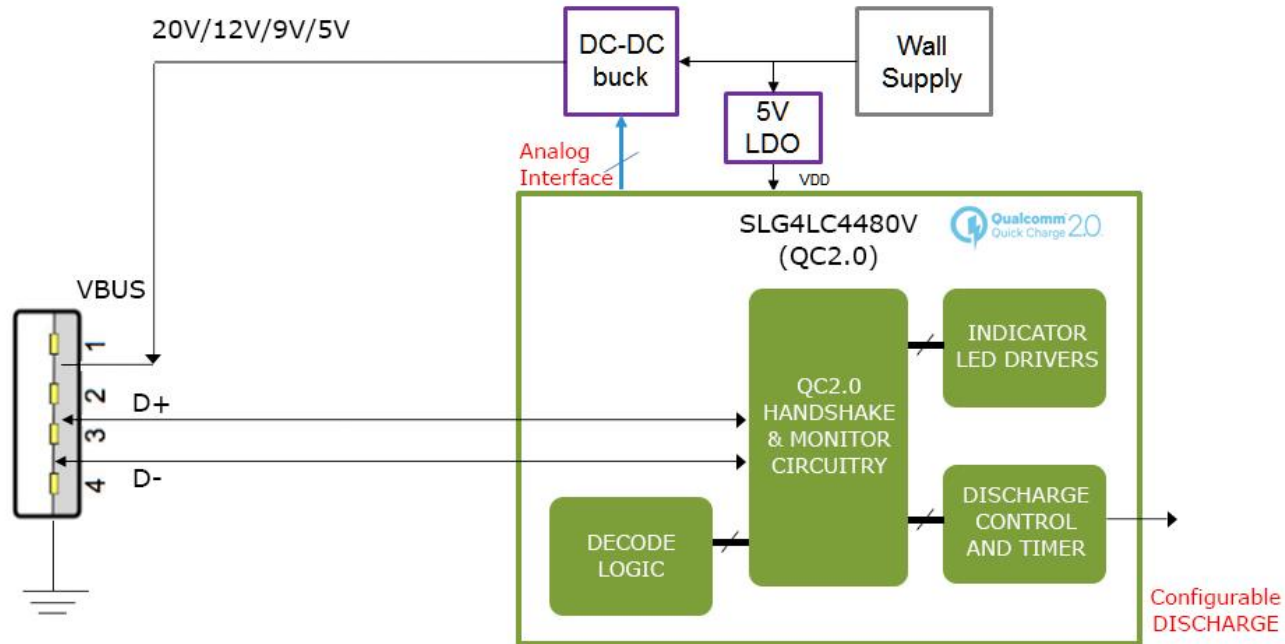
- ☉ Mobile Battery Packs
- ☉ Automotive Power Port USB Chargers
- ☉ International travel AC-to-DC Power Adapters
- ☉ Universal Wall Receptacle AC-to-DC Power Supplies (Reference Design available¹)



SLG4LC4480
Evaluation Kit

Note 1: For additional information or to request a wall receptacle AC-to-DC power supply, please contact your local Silego Field Sales office.

Silego SLG4LC4480V



Product Selection Matrix

Silego P/N	Requires SLG555LC21V for Host Identification	Interface Type	Interface With	Eval. Board Availability	Eval. Board Notes	Eval. Board VIN
SLG4LC4412V	Yes	MUX	μC	Yes	DC-DC buck mode, TPS54240	>20V
SLG4LC4438V	Yes	Analog	SMPS	Yes	DC-DC buck mode, TPS54240	>20V
SLG4LC4480V	No	Analog	SMPS	Yes	DC-DC buck mode, TPS54240	>20V
SLG4LC4564V	Yes	Analog	SMPS	Yes	DC-DC, boost mode, XR2204D	+2.5 ~ +4.5V