



## A 22 V, 13.1 mΩ, 5 A Integrated Power Switch with VIN Lockout Select and MOSFET Current Monitor Output

### General Description

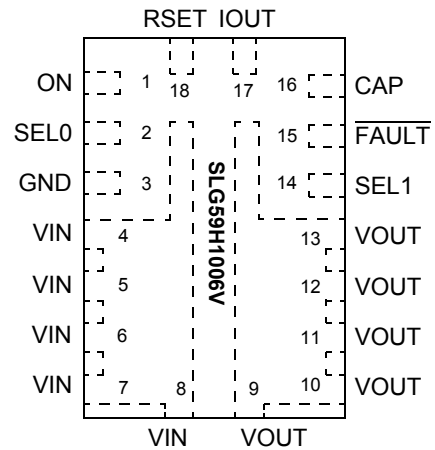
The SLG59H1006V is a high-performance, self-powered 13.1 mΩ NMOS power switch designed for all 4.5 to 22 V power rails up to 5A. Using a proprietary MOSFET design, the SLG59H1006V achieves a stable 13.1 mΩ RDSON across a wide input/supply voltage range and over temperature. Using Silego's proprietary CuFET™ technology, the SLG59H1006V package also exhibits a low thermal resistance for high-current operation.

Designed to operate over a -40°C to 85°C range, the SLG59H1006V is available in a low thermal resistance, RoHS-compliant, 1.6 x 3.0 mm STQFN package.

### Features

- Wide Operating Supply Voltage: 4.5 V to 22 V
- Maximum Continuous Switch Current: 5 A
- Automatic nFET SOA Protection
- High-performance MOSFET Switch
  - Low RDSON: 13.1 mΩ at  $V_{IN} = 22\text{ V}$
  - Low  $\Delta RDSON/\Delta V_{IN}$ : <0.05 mΩ/V
  - Low  $\Delta RDSON/\Delta T$ : <0.06 mΩ/°C
- 4-Level, Pin-programmable VIN Overvoltage Lockout
- Capacitor-programmable Inrush Current Control
- Two stage Current Limit Protection:
  - Resistor-programmable Active Current Limit
  - Internal Short-circuit Current limit
- Open Drain FAULT Signaling
- MOSFET Current Analog Output Monitor: 10 μA/A
- Fast 4 kΩ Output Discharge
- Pb-Free / Halogen-Free / RoHS Compliant Packaging

### Pin Configuration

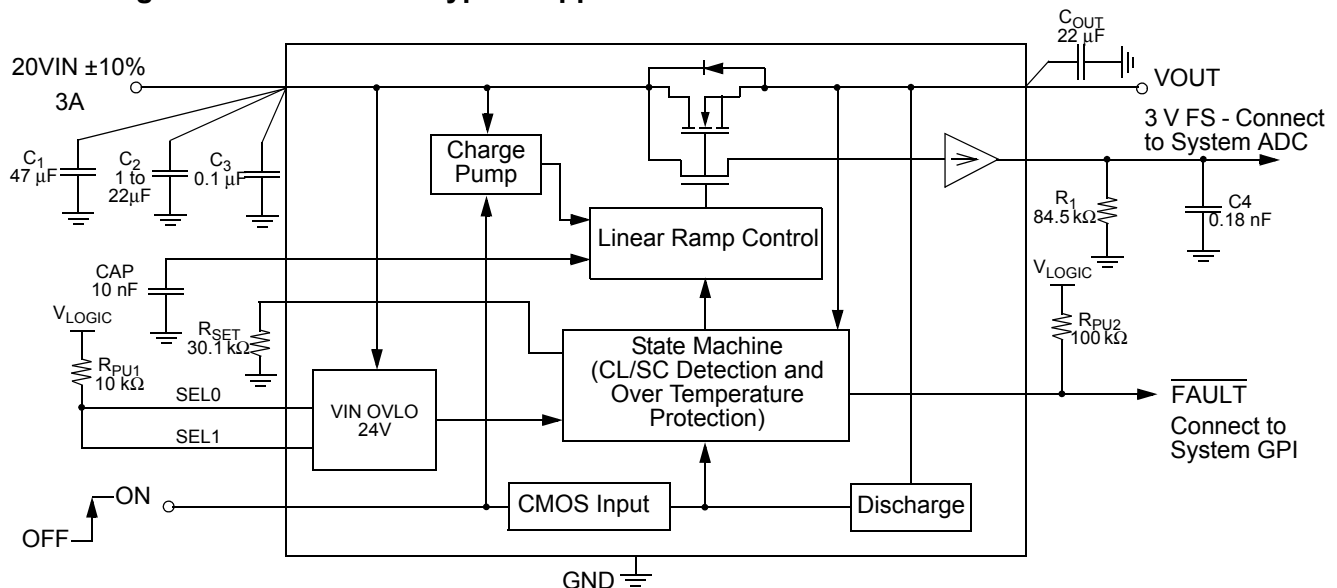


**18-pin STQFN**  
1.6 x 3.0 mm, 0.40mm pitch  
(Top View)

### Applications

- Power-Rail Switching
- Multifunction Printers
- Large-format Copiers
- Telecommunications Equipment
- High-performance Computing
  - 5V, 9V, 12V, and 20V Point-of-Load Power Distribution
- Motor Drives

### Block Diagram and a 20V / 3 A Typical Application Circuit





## Pin Description

Pin #	Pin Name	Type	Pin Description
1	ON	Input	A low-to-high transition on this pin initiates the operation of the SLG59H1006V's state machine. ON is an asserted HIGH, level-sensitive CMOS input with $V_{IL} < 0.3\text{ V}$ and $V_{IH} > 0.9\text{ V}$ . As the ON pin input circuit does not have an internal pull-down resistor, connect this pin to a general-purpose output (GPO) of a microcontroller, an application processor, or a system controller – do not allow this pin to be open-circuited.
2	SEL0	Input	As level-sensitive, CMOS inputs with $V_{IL} < 0.3\text{ V}$ and $V_{IH} > 1.65\text{ V}$ , the SEL0 (LSB) and the SEL1 (MSB) pins select one of four VIN overvoltage lockout thresholds. Please see the Applications Section for additional information and the Electrical Characteristics table for the VIN overvoltage thresholds. A logic LOW on either pin is achieved by connecting the pin of interest to GND; a logic HIGH on either pin is achieved by connecting a 10 kΩ external resistor from the pin in question to the system's local logic supply.
3	GND	GND	Pin 3 is the main ground connection for the SLG59H1006V's internal charge pump, its gate drive and current-limit circuits as well as its internal state machine. Therefore, use a short, stout connection from Pin 3 to the system's analog or power plane.
4-8	VIN	MOSFET	VIN supplies the power for the operation of the SLG59H1006V, its internal control circuitry, and the drain terminal of the nFET power switch. With 5 pins fused together at VIN, connect a 47 μF (or larger) low-ESR capacitor from this pin to ground. Capacitors used at VIN should be rated at 50 V or higher.
9-13	VOUT	MOSFET	Source terminal of n-channel MOSFET (5 pins fused for VOUT). Connect a 22 μF (or larger) low-ESR capacitor from this pin to ground. Capacitors used at VOUT should be rated at 50 V or higher.
14	SEL1	Input	Please see SEL0 Pin Description above
15	$\overline{\text{FAULT}}$	Output	An open drain output, $\overline{\text{FAULT}}$ is asserted within $T_{\text{FAULT\_LOW}}$ when a VIN overvoltage, a current-limit, a nFET SOA, or an over-temperature condition is detected. $\overline{\text{FAULT}}$ is deasserted within $T_{\text{FAULT\_HIGH}}$ when the fault condition is removed. Connect an 100 kΩ external resistor from the $\overline{\text{FAULT}}$ pin to local system logic supply.
16	CAP	Output	A low-ESR, stable dielectric, ceramic surface-mount capacitor connected from CAP pin to GND sets the VOUT slew rate and overall turn-on time of the SLG59H1006V. For best performance, the range for CAP values are $10\text{ nF} \leq \text{CAP} \leq 20\text{ nF}$ – please see typical characteristics for additional information. Capacitors used at the CAP pin should be rated at 10 V or higher. Please consult Applications Section on how to select CAP based on VOUT slew rate and loading conditions.
17	IOUT	Output	IOUT is the SLG59H1006V's power MOSFET load current monitor output. As an analog output current, this signal when applied to a ground-reference resistor generates a voltage proportional to the current through the n-channel MOSFET. The IOUT transfer characteristic is typically 10 μA/A with a voltage compliance range of $0.5\text{ V} \leq V(\text{IOUT}) \leq 4\text{ V}$ . Optimal IOUT linearity is exhibited for $0.5\text{ A} \leq I_{\text{DS}} \leq 5\text{ A}$ . In addition, it is recommended to bypass the IOUT pin to GND with a 0.18 nF capacitor.
18	RSET	Input	A 1%-tolerance, metal-film resistor between 18 kΩ and 95 kΩ sets the SLG59H1006V's active current limit. A 95 kΩ resistor sets the SLG59H1006V's active current limit to 1 A and a 18 kΩ resistor sets the active current limit to 5 A.

## Ordering Information

Part Number	Type	Production Flow
SLG59H1006V	STQFN 18L FC	Industrial, -40 °C to 85 °C
SLG59H1006VTR	STQFN 18L FC (Tape and Reel)	Industrial, -40 °C to 85 °C



## Absolute Maximum Ratings

Parameter	Description	Conditions	Min.	Typ.	Max.	Unit
V <sub>IN</sub> to GND	Power Switch Input Voltage to GND	Continuous	-0.3	--	30	V
		Maximum pulsed VIN, pulse width <0.1s	--	--	32	V
V <sub>OUT</sub> to GND	Power Switch Output Voltage to GND		-0.3	--	V <sub>IN</sub>	V
ON, SEL[1,0], CAP, RSET, IOUT, and FAULT to GND	ON, SEL[1,0], CAP, RSET, IOUT, and FAULT Pin Voltages to GND		-0.3	--	7	V
T <sub>S</sub>	Storage Temperature		-65	--	150	°C
ESD <sub>HBM</sub>	ESD Protection	Human Body Model	2000	--	--	V
ESD <sub>CDM</sub>	ESD Protection	Charged Device Model	500	--	--	V
MSL	Moisture Sensitivity Level		1			
θ <sub>JA</sub>	Thermal Resistance	1.6 x 3.0 mm 18L STQFN; Determined with the device mounted onto a 1 in <sup>2</sup> , 1 oz. copper pad of FR-4 material	--	40	--	°C/W
MOSFET IDS <sub>CONT</sub>	Continuous Current from VIN to VOUT	T <sub>J</sub> < 150°C	--	--	5	A
MOSFET IDS <sub>PEAK</sub>	Peak Current from VIN to VOUT	Maximum pulsed switch current, pulse width < 1 ms	--	--	6	A

Note: Stresses greater than those listed under “Absolute Maximum Ratings” may cause permanent damage to the device. This is a stress rating only and functional operation of the device at these or any other conditions above those indicated in the operational sections of this specification is not implied. Exposure to absolute maximum rating conditions for extended periods may affect reliability.

## Electrical Characteristics

4.5 V ≤ V<sub>IN</sub> ≤ 22 V; C<sub>IN</sub> = 47 μF, T<sub>A</sub> = -40°C to 85°C, unless otherwise noted. Typical values are at T<sub>A</sub> = 25°C

Parameter	Description	Conditions	Min.	Typ.	Max.	Unit
V <sub>IN</sub>	Operating Input Voltage		4.5	--	22	V
V <sub>IN(OVLO)</sub>	VIN Overvoltage Lockout Threshold	V <sub>IN</sub> ↑; SEL[1,0] = [0,0]	5.6	6	6.3	V
		V <sub>IN</sub> ↑; SEL[1,0] = [0,1]	10.2	10.8	11.4	V
		V <sub>IN</sub> ↑; SEL[1,0] = [1,0]	13.5	14.4	15.2	V
		V <sub>IN</sub> ↑; SEL[1,0] = [1,1]	22.6	24	25.2	V
V <sub>IN(UVLO)</sub>	VIN Undervoltage Lockout Threshold	V <sub>IN</sub> ↓	2.4	--	3.8	V
I <sub>Q</sub>	Quiescent Supply Current	ON = HIGH; I <sub>DS</sub> = 0 A	--	0.5	0.6	mA
I <sub>SHDN</sub>	OFF Mode Supply Current	ON = LOW; I <sub>DS</sub> = 0 A	--	1	3	μA
RDS <sub>ON</sub>	Static Drain to Source ON Resistance	T <sub>A</sub> = 25°C; I <sub>DS</sub> = 0.1 A	--	13.1	14	mΩ
		T <sub>A</sub> = 85°C; I <sub>DS</sub> = 0.1 A	--	16.8	18	mΩ
I <sub>LIMIT</sub>	Active Current Limit, I <sub>ACL</sub>	V <sub>OUT</sub> > 0.5 V; R <sub>SET</sub> = 30.1 kΩ	2.8	3.2	3.6	A
	Short-circuit Current Limit, I <sub>SCL</sub>	V <sub>OUT</sub> < 0.5 V	--	0.5	--	A
T <sub>ACL</sub>	Active Current Limit Response Time		--	120	--	μs



### Electrical Characteristics (continued)

4.5 V ≤ V<sub>IN</sub> ≤ 22 V; C<sub>IN</sub> = 47 μF, T<sub>A</sub> = -40°C to 85°C, unless otherwise noted. Typical values are at T<sub>A</sub> = 25°C

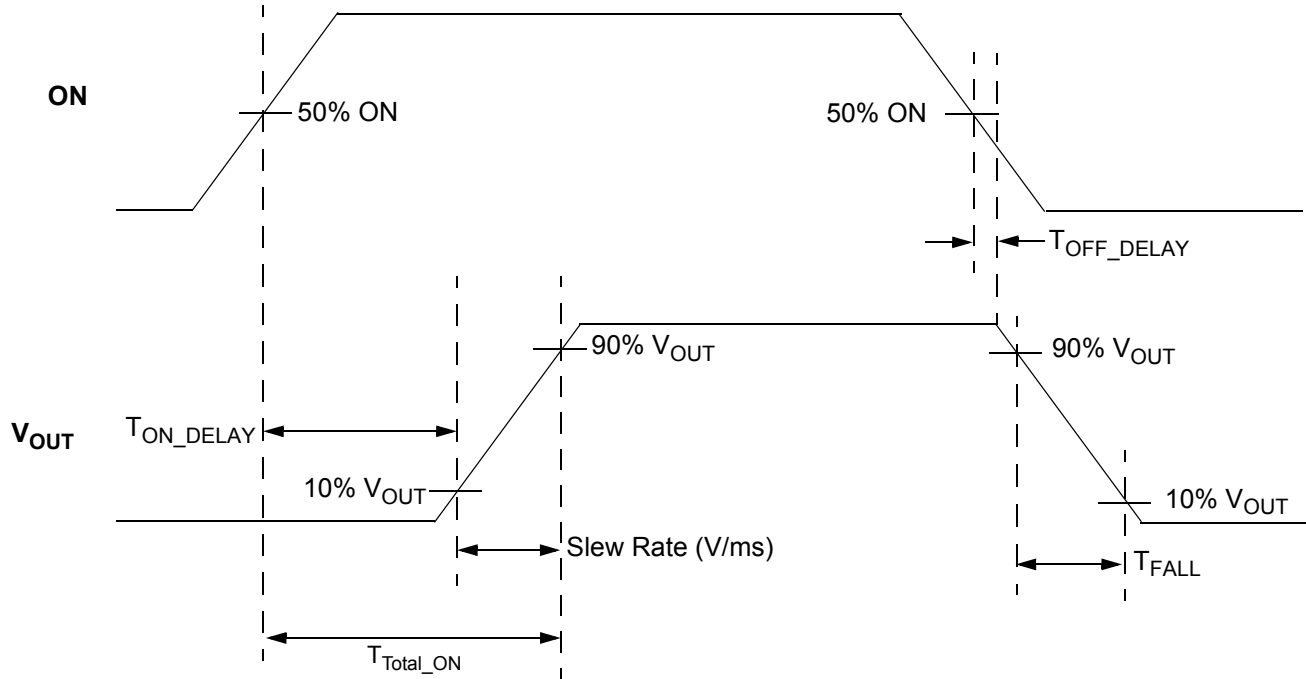
Parameter	Description	Conditions	Min.	Typ.	Max.	Unit
R <sub>DSCHRG</sub>	Output Discharge Resistance		3.5	4.4	5.3	kΩ
I <sub>OUT</sub>	MOSFET Current Analog Monitor Output	I <sub>LOAD</sub> = 1 A	9.3	10	10.7	μA
		I <sub>LOAD</sub> = 3 A	28.5	30	31.5	μA
T <sub>IOUT</sub>	I <sub>OUT</sub> Response Time to Change in Main MOSFET Current	C <sub>IOUT</sub> = 180 pF; Step load 0 to 2.4 A; 0% to 90% I <sub>OUT</sub>	--	45	--	μs
CAP <sub>OUT</sub>	Output Capacitive Load to GND		22	--	--	μF
T <sub>ON_Delay</sub>	ON Delay Time	50% ON to 10% V <sub>OUT</sub> ↑; V <sub>IN</sub> = 4.5 V; CAP = 10 nF; R <sub>LOAD</sub> = 100 Ω, C <sub>LOAD</sub> = 10 μF	--	0.3	0.5	ms
		50% ON to 10% V <sub>OUT</sub> ↑; V <sub>IN</sub> = 22 V; CAP = 10 nF; R <sub>LOAD</sub> = 100 Ω, C <sub>LOAD</sub> = 10 μF	--	0.7	1.2	ms
T <sub>Total_ON</sub>	Total Turn-on Time	50% ON to 90% V <sub>OUT</sub> ↑	Set by External CAP <sup>1</sup>			ms
		50% ON to 90% V <sub>OUT</sub> ↑; V <sub>IN</sub> = 4.5 V; CAP = 10 nF; R <sub>LOAD</sub> = 100 Ω, C <sub>LOAD</sub> = 10 μF	--	1.4	2.1	ms
		50% ON to 90% V <sub>OUT</sub> ↑; V <sub>IN</sub> = 22 V; CAP = 10 nF; R <sub>LOAD</sub> = 100 Ω, C <sub>LOAD</sub> = 10 μF	--	5	8	ms
V <sub>OUT(SR)</sub>	V <sub>OUT</sub> Slew rate	10% V <sub>OUT</sub> to 90% V <sub>OUT</sub> ↑	Set by External CAP <sup>1</sup>			V/ms
		10% V <sub>OUT</sub> to 90% V <sub>OUT</sub> ↑; V <sub>IN</sub> = 4.5 to 22 V; CAP = 10 nF; R <sub>LOAD</sub> = 100 Ω, C <sub>LOAD</sub> = 10 μF	2.7	3.2	3.9	V/ms
T <sub>OFF_Delay</sub>	OFF Delay Time	50% ON to V <sub>OUT</sub> ↓; R <sub>LOAD</sub> = 100 Ω, No C <sub>LOAD</sub>	--	15	--	μs
T <sub>Fall</sub>	V <sub>OUT</sub> Fall Time	ON = HIGH-to-LOW; R <sub>LOAD</sub> = 100 Ω, No C <sub>LOAD</sub>	10.4	12.7	14.3	μs
T <sub>FAULT_LOW</sub>	FAULT Assertion Time	Current-limit Detection to FAULT ↓; I <sub>ACL</sub> = 1 A; V <sub>IN</sub> = 22 V; R <sub>SET</sub> = 90 kΩ; switch in 20 Ω load	--	80	--	μs
T <sub>FAULT_HIGH</sub>	FAULT De-assertion Time	Delay to FAULT ↑ after fault condition is removed; I <sub>ACL</sub> = 1 A; V <sub>IN</sub> = 22 V; R <sub>SET</sub> = 90 kΩ; switch out 20 Ω load	--	180	--	μs
FAULT <sub>VOL</sub>	FAULT Output Low Voltage	I <sub>FAULT</sub> = 1 mA	--	0.2	--	V
ON_VIH	ON Pin Input High Voltage		0.9	--	5	V
ON_VIL	ON Pin Input Low Voltage		-0.3	0	0.3	V
SEL[1,0]_VIH	SEL[1,0] pins Input High Voltage		1.65	--	4.5	V
SEL[1,0]_VIL	SEL[1,0] pins Input Low Voltage		-0.3	--	0.3	V
I <sub>ON(Leakage)</sub>	ON Pin Leakage Current	1V ≤ ON ≤ 5V or ON = GND	--	--	1	μA
THERM <sub>ON</sub>	Thermal Protection Shutdown Threshold		--	125	--	°C
THERM <sub>OFF</sub>	Thermal Protection Restart Threshold		--	100	--	°C

Notes:

1. Refer to typical Timing Parameter vs. CAP performance charts for additional information when available.



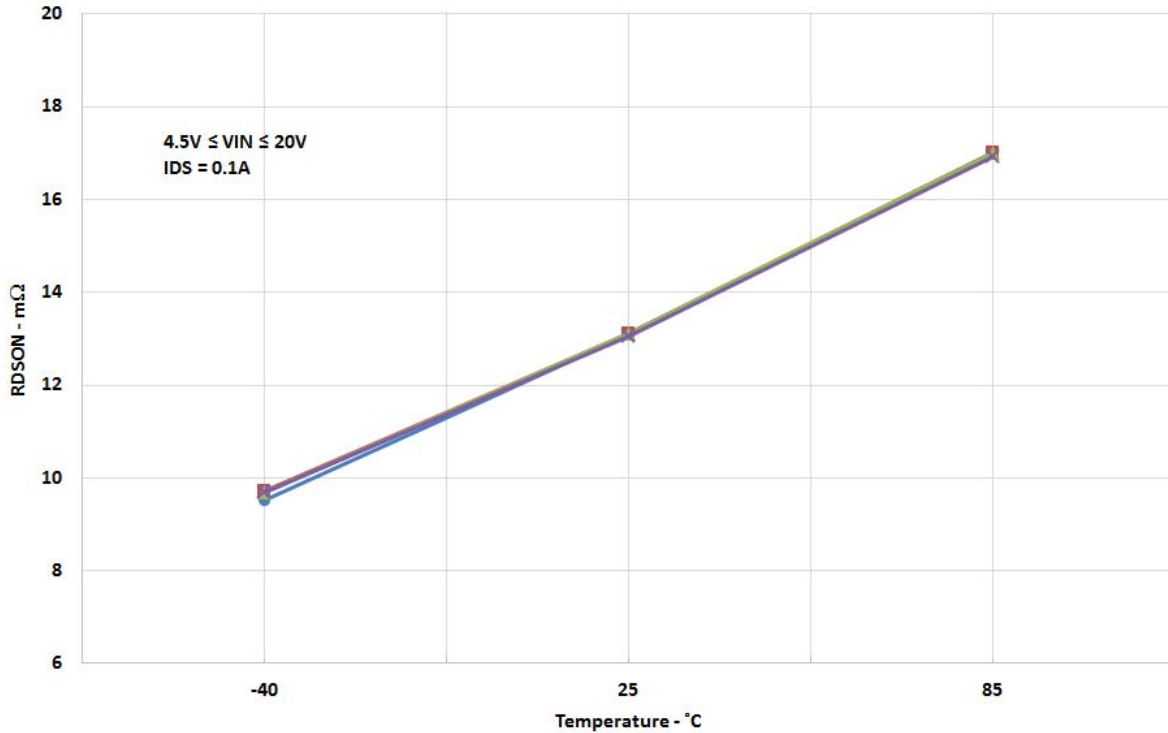
### $T_{Total\_ON}$ , $T_{ON\_Delay}$ and Slew Rate Measurement Timing Details



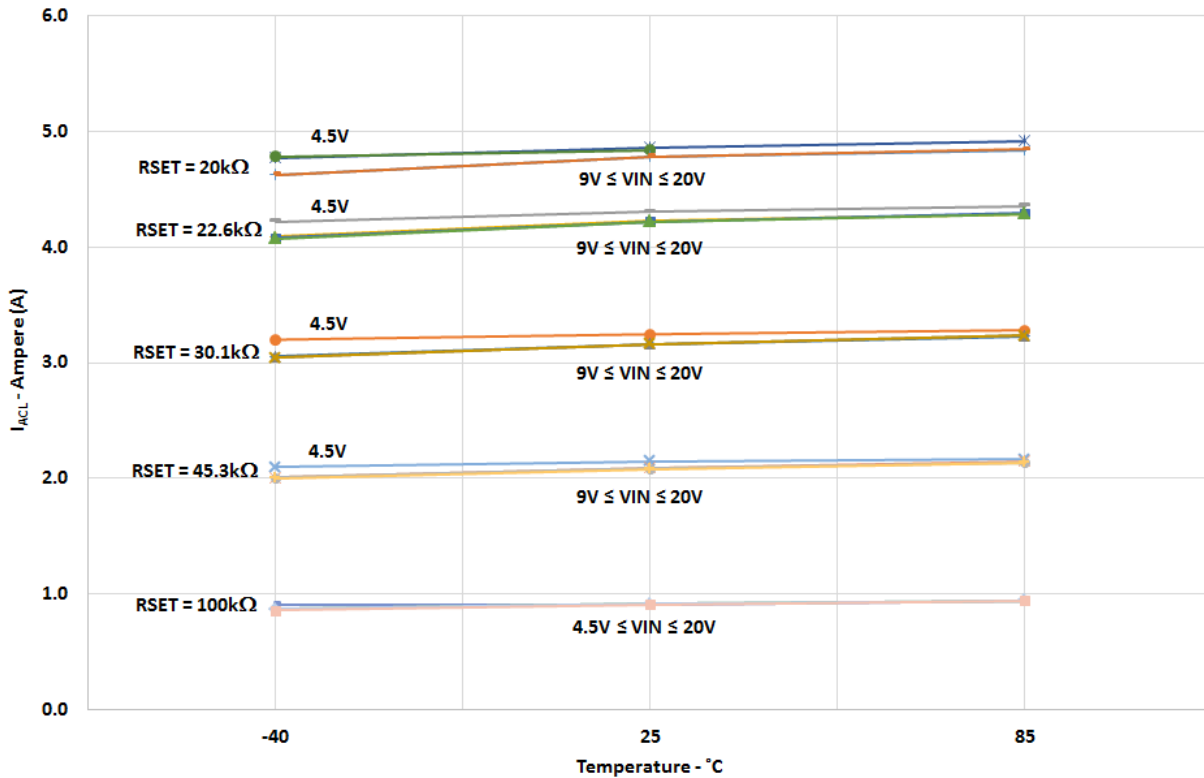


## Typical Performance Characteristics

### RDS<sub>ON</sub> vs. Temperature and V<sub>IN</sub>

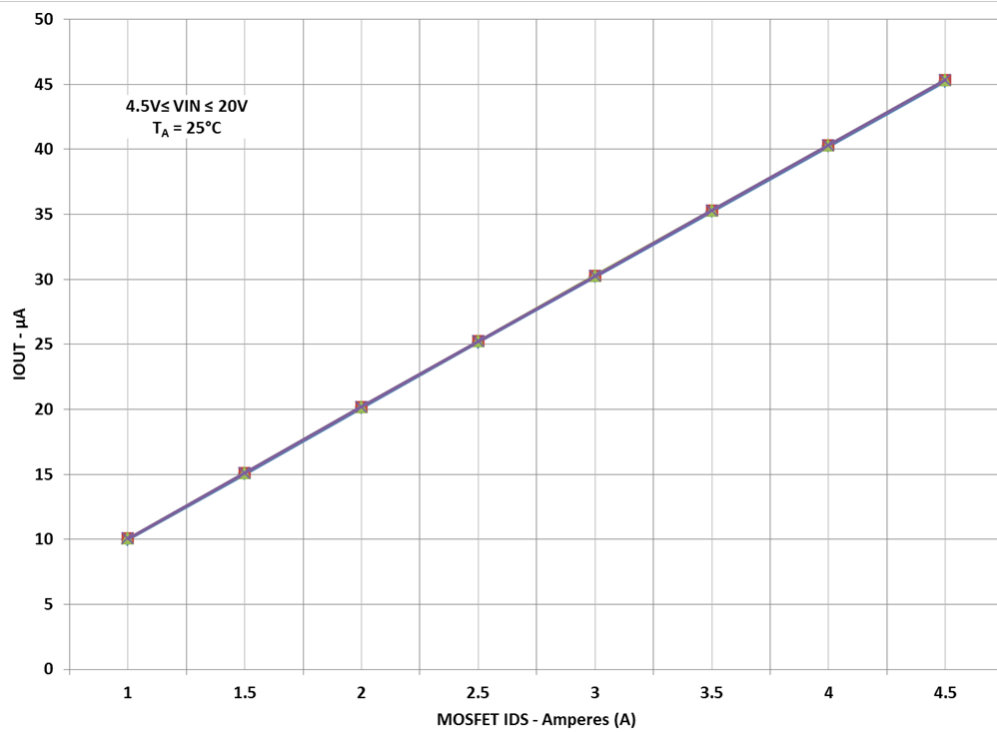


### I<sub>ACL</sub> vs. Temperature, R<sub>SET</sub>, and V<sub>IN</sub>

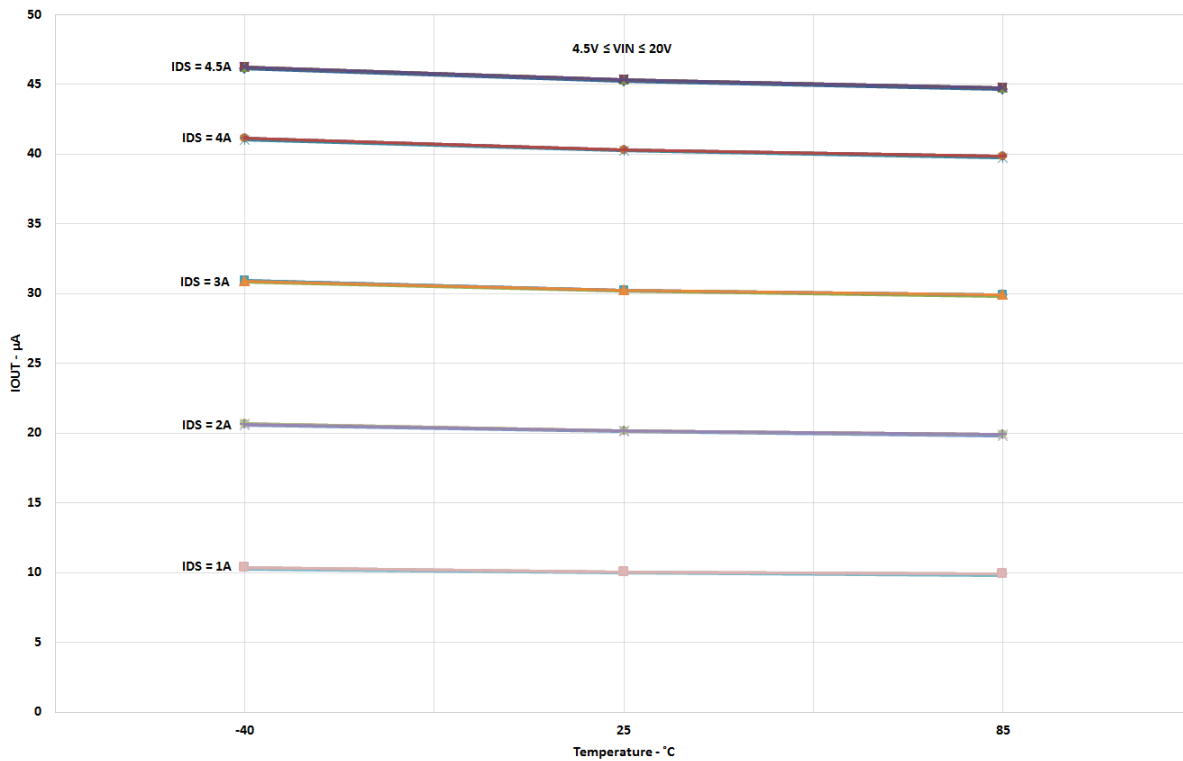




### $I_{OUT}$ vs. MOSFET $I_{DS}$ and $V_{IN}$

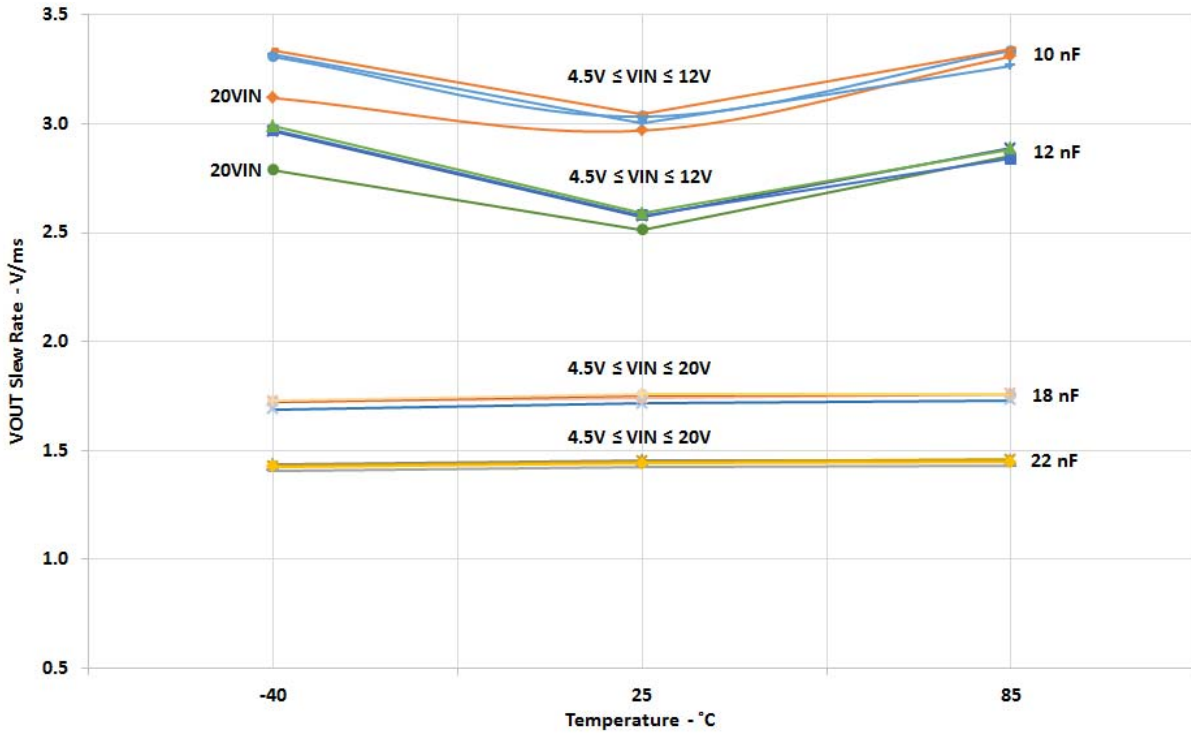


### $I_{OUT}$ vs. Temperature, MOSFET $I_{DS}$ , and $V_{IN}$

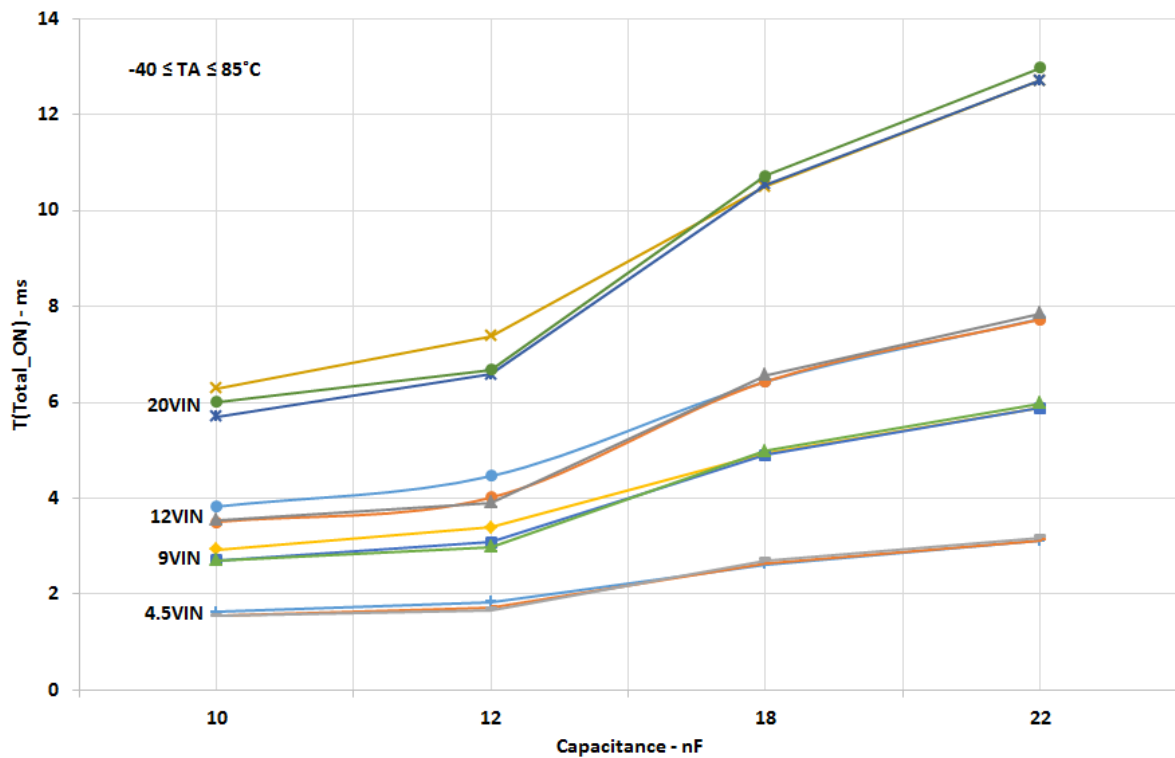




## V<sub>OUT</sub> Slew Rate vs. Temperature, V<sub>IN</sub>, and C<sub>SLEW</sub>



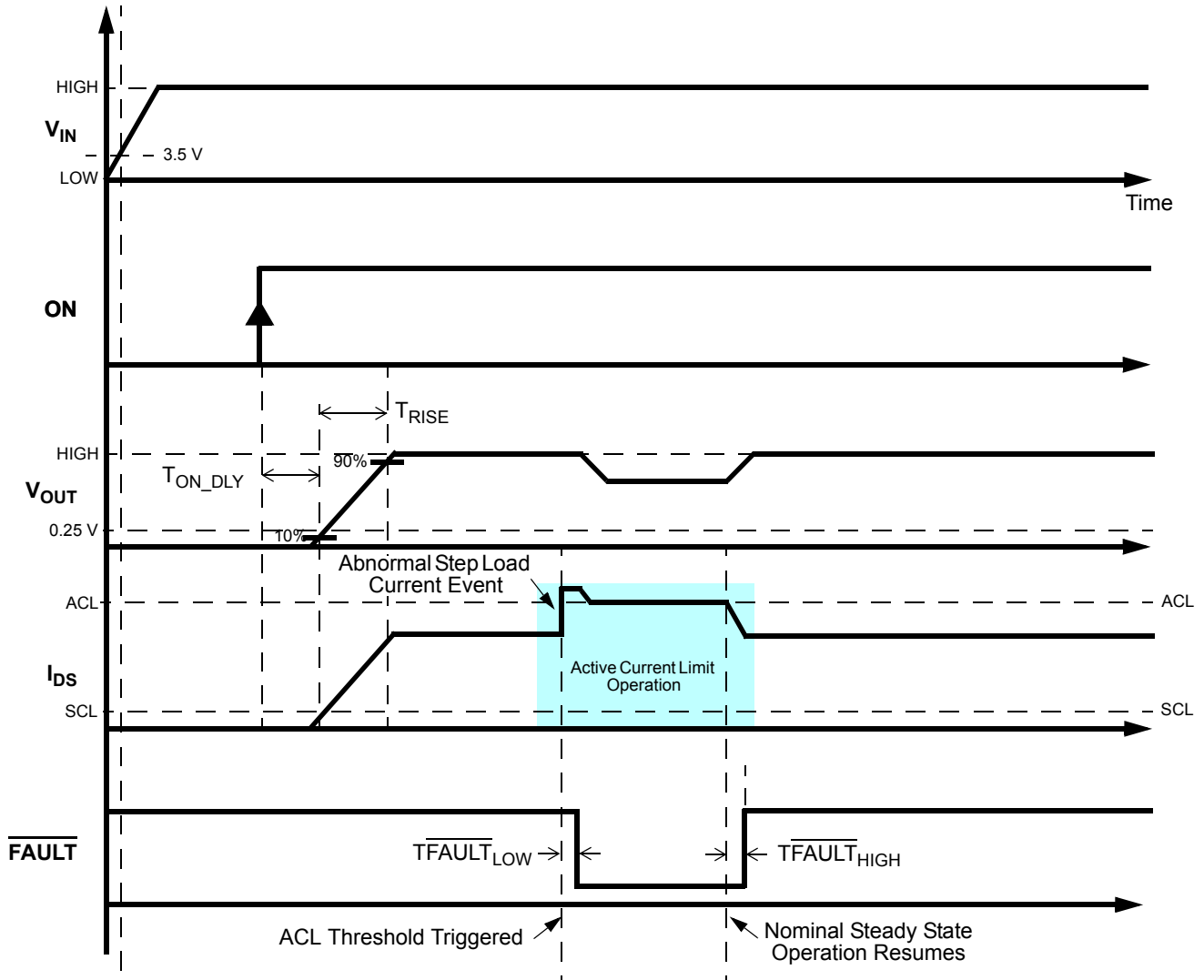
## T<sub>Total\_ON</sub> vs. C<sub>SLEW</sub>, V<sub>IN</sub>, and Temperature





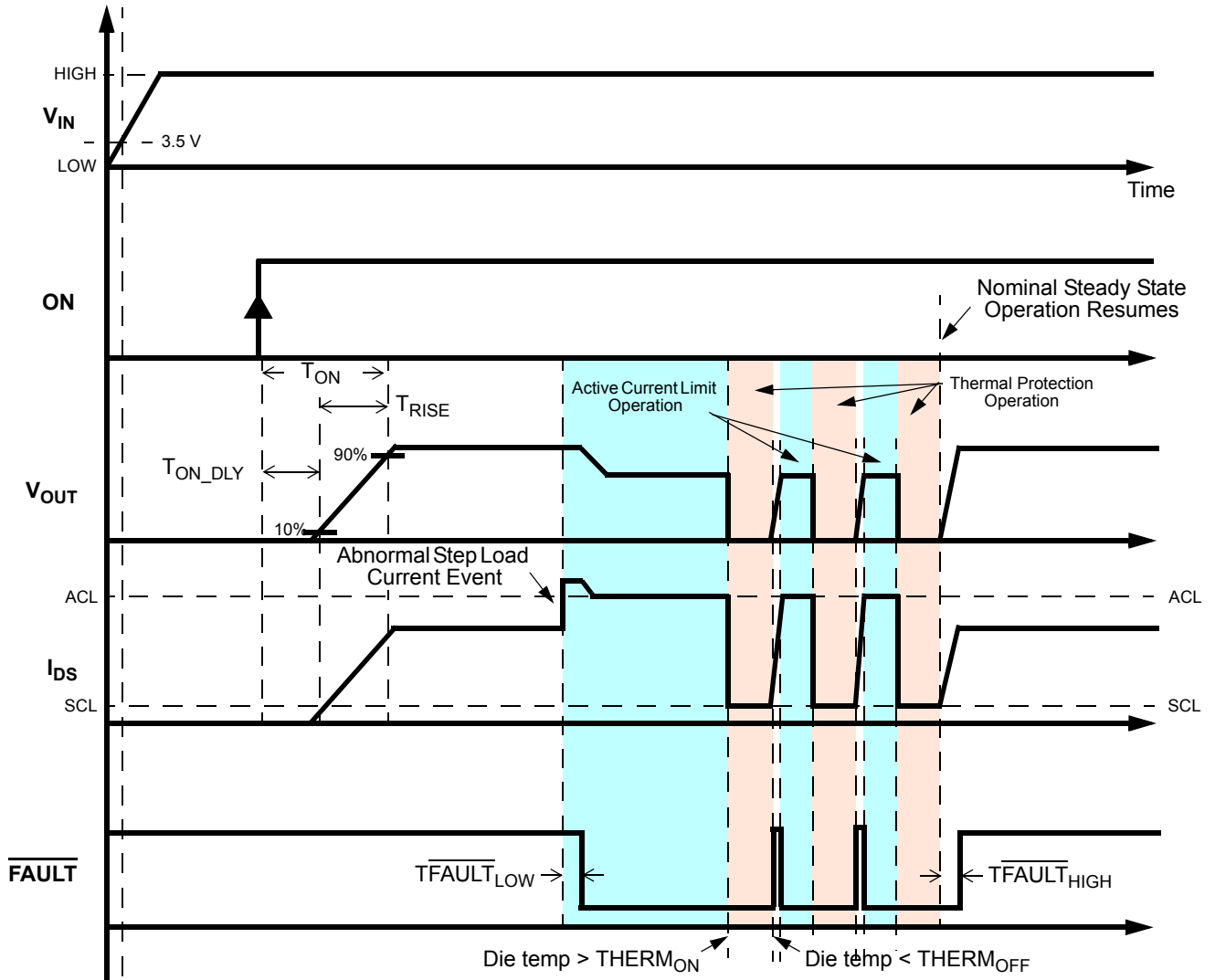


### Timing Diagram - Basic Operation including Active Current Limit Protection



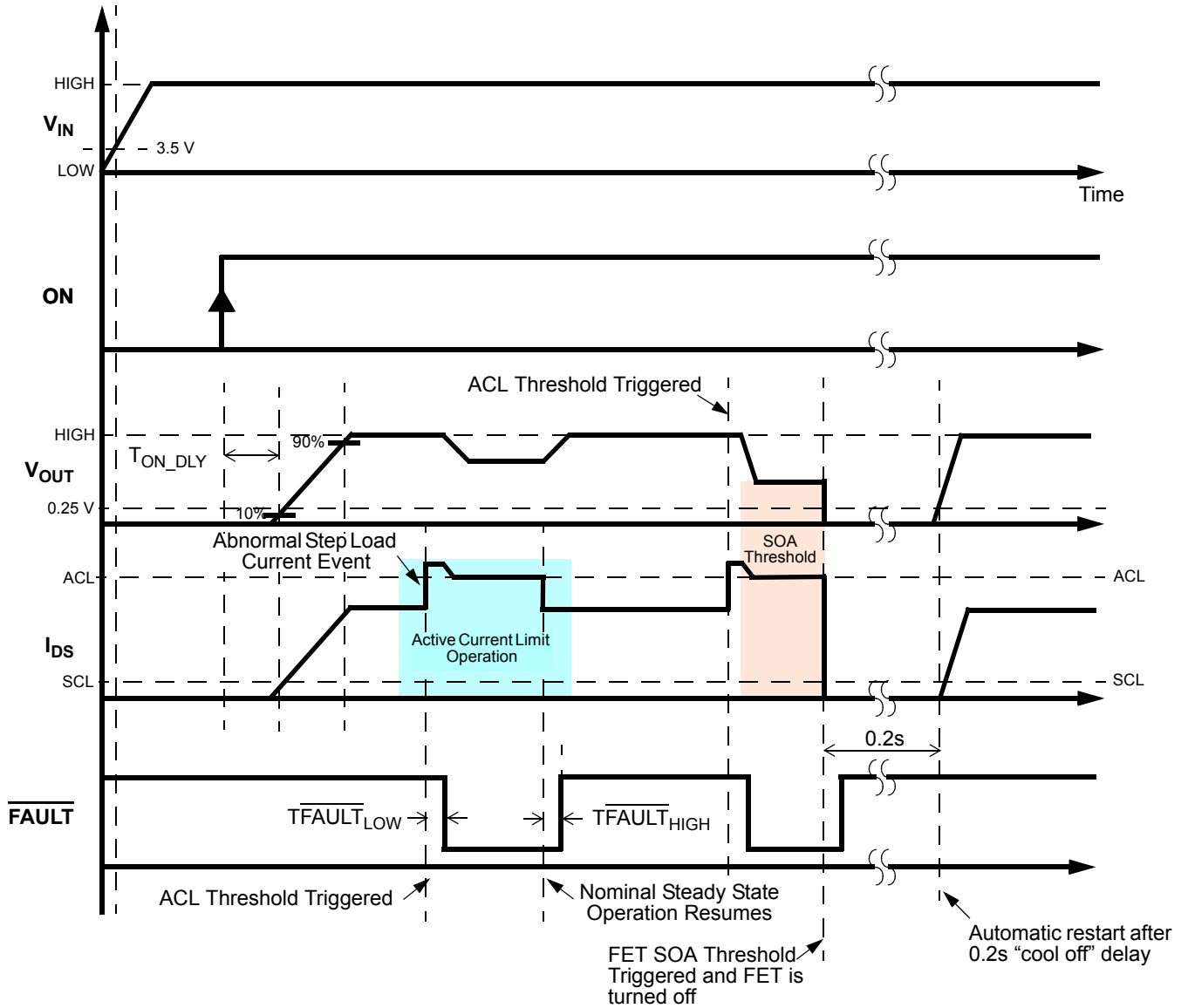


Timing Diagram - Active Current Limit & Thermal Protection Operation





Timing Diagram - Basic Operation including Active Current + Internal FET SOA Protection





## Applications Information

### HFET1 Safe Operating Area Explained

Silego's HFET1 integrated power controllers incorporate a number of internal protection features that prevents them from damaging themselves or any other circuit or subcircuit downstream of them. One particular protection feature is their Safe Operation Area (SOA) protection. SOA protection is automatically activated under overpower and, in some cases, under overcurrent conditions. Overpower SOA is activated if package power dissipation exceeds an internal 5W threshold longer than 2.5 ms. HFET1 devices will quickly switch off (open circuit) upon overpower detection and automatically resume (close) nominal operation once overpower condition no longer exists.

One possible way to have an overpower condition trigger SOA protection is when HFET1 products are enabled into heavy output resistive loads and/or into large load capacitors. It is under these conditions to follow carefully the "Safe Start-up Loading" guidance in the Applications section of the datasheet. During an overcurrent condition, HFET1 devices will try to limit the output current to the level set by the external RSET resistor. Limiting the output current, however, causes an increased voltage drop across the FET's channel because the FET's  $R_{DS(ON)}$  increased as well. Since the FET's  $R_{DS(ON)}$  is larger, package power dissipation also increases. If the resultant increase in package power dissipation is higher/equal than 5 W for longer than 2.5 ms, internal SOA protection will be triggered and the FET will open circuit (switch off). Every time SOA protection is triggered, all HFET1 devices will automatically attempt to resume nominal operation after 160 ms.

### Safe Start-up Condition

SLG59H1006V has built-in protection to prevent over-heating during start-up into a heavy load. Overloading the VOUT pin with a capacitor and a resistor may result in non-monotonic VOUT ramping. In general, under light loading on VOUT, VOUT ramping can be controlled with  $C_{SLEW}$  value. The following equation serves as a guide:

$$C_{SLEW} = \frac{T_{RAMP}}{V_{IN}} \times 4.9 \mu A \times \frac{20}{3}$$

where

$T_{RAMP}$  = Total ramping time for  $V_{OUT}$  to reach  $V_{IN}$

$V_{IN}$  = Input Voltage

$C_{SLEW}$  = Capacitor value for CAP pin

When capacitor and resistor loading on VOUT during start up, the following tables will ensure VOUT ramping is monotonic without triggering internal protection:

Safe Start-up Loading for $V_{IN} = 22 V$ (Monotonic Ramp)			
Slew Rate (V/ms)	$C_{SLEW}$ Control (nF) <sup>3</sup>	$C_{LOAD}$ (μF)	$R_{LOAD}$ (Ω)
0.5	66.7	500	80
1.0	33.3	250	80
1.5	22.2	160	80
2.0	16.7	120	80
2.5	13.3	100	80



Safe Start-up Loading for $V_{IN} = 12\text{ V}$ (Monotonic Ramp)			
Slew Rate (V/ms)	$C_{SLEW}$ Control (nF) <sup>3</sup>	$C_{LOAD}$ ( $\mu\text{F}$ )	$R_{LOAD}$ ( $\Omega$ )
1	33.3	500	20
2	16.7	250	20
3	11.1	160	20
4	8.3	120	20
5	6.7	100	20

Note 3: Select the closest-value tolerance capacitor.

### Setting the SLG59H1006V's Active Current Limit

RSET (k $\Omega$ )	Active Current Limit (A)
95	1
45	2
30	3
18	5

### Setting the SLG59H1006V's Input Overvoltage Lockout Threshold

As shown in the table below, SEL[1,0] selects the VIN overvoltage threshold at which the SLG59H1006V's internal state machine will turn OFF (open circuit) the power MOSFET if VIN exceeds the selected threshold.

SEL1	SEL0	VIN OVLO (Typ)
0	0	6 V
0	1	10.8 V
1	0	14.4 V
1	1	24 V

For example, SEL[1,1] would be the most appropriate setting for applications where the steady-state VIN can extend up to 20V without causing any damage to the SLG59H1006V since the IC is 29-V tolerant.

With an activated SLG59H1006V (ON=HIGH) and at any time VIN crosses the programmed VIN overvoltage threshold, the state machine opens the power switch and asserts the FAULT pin within  $T_{FAULT\_LOW}$ .

In applications with a deactivated or inactive SLG59H1006V ( $V_{IN} > V_{IN\_UVLO}$  and ON=LOW) and if the applied VIN is higher than the programmed VIN OVLO threshold, the SLG59H1006V's state machine will keep the power switch open circuited if the ON pin is toggled LOW-to-HIGH. In these cases, the FAULT pin will also be asserted within  $T_{FAULT\_LOW}$  and will remain asserted until VIN resumes nominal, steady-state operation.

In all cases, the SLG59H1006V's VIN undervoltage lockout threshold is fixed at  $V_{IN(UVLO)}$ .



### Power Dissipation

The junction temperature of the SLG59H1006V depends on different factors such as board layout, ambient temperature, and other environmental factors. The primary contributor to the increase in the junction temperature of the SLG59H1006V is the power dissipation of its power MOSFET. Its power dissipation and the junction temperature in nominal operating mode can be calculated using the following equations:

$$PD = RDS_{ON} \times I_{OUT}^2$$

where:

PD = Power dissipation, in Watts (W)

$RDS_{ON}$  = Power MOSFET ON resistance, in Ohms ( $\Omega$ )

$I_{OUT}$  = Output current, in Amps (A)

and

$$T_J = PD \times \theta_{JA} + T_A$$

where:

$T_J$  = Junction temperature, in Celsius degrees ( $^{\circ}C$ )

$\theta_{JA}$  = Package thermal resistance, in Celsius degrees per Watt ( $^{\circ}C/W$ )

$T_A$  = Ambient temperature, in Celsius degrees ( $^{\circ}C$ )

In current-limit mode, the SLG59H1006V's power dissipation can be calculated by taking into account the voltage drop across the power switch ( $V_{IN}-V_{OUT}$ ) and the magnitude of the output current in current-limit mode ( $I_{ACL}$ ):

$$PD = (V_{IN}-V_{OUT}) \times I_{ACL} \text{ or}$$

$$PD = (V_{IN} - (R_{LOAD} \times I_{ACL})) \times I_{ACL}$$

where:

PD = Power dissipation, in Watts (W)

$V_{IN}$  = Input Voltage, in Volts (V)

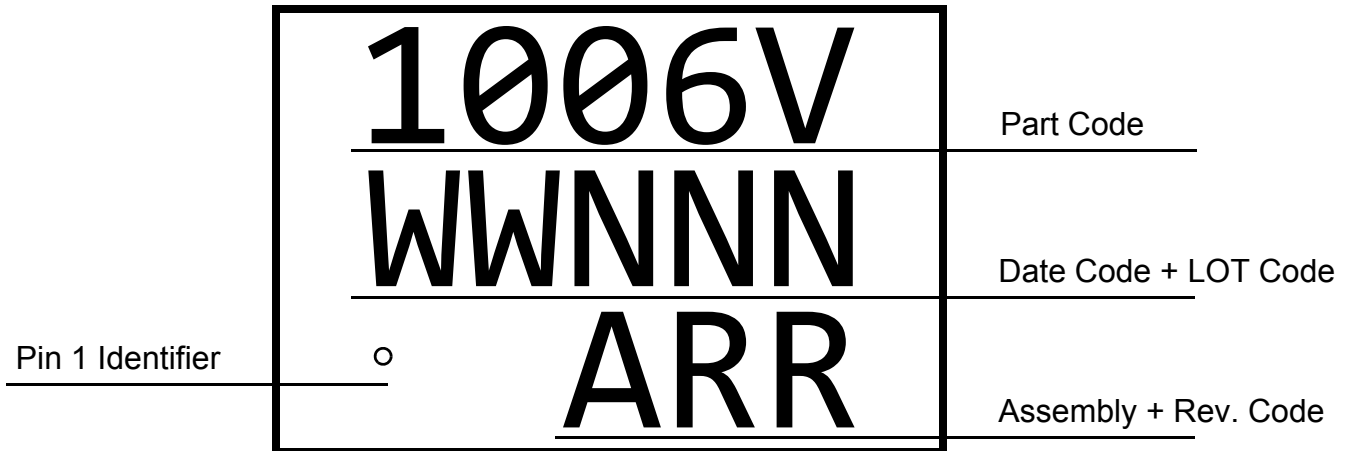
$R_{LOAD}$  = Load Resistance, in Ohms ( $\Omega$ )

$I_{ACL}$  = Output limited current, in Amps (A)

$V_{OUT} = R_{LOAD} \times I_{OCL}$



Package Top Marking System Definition



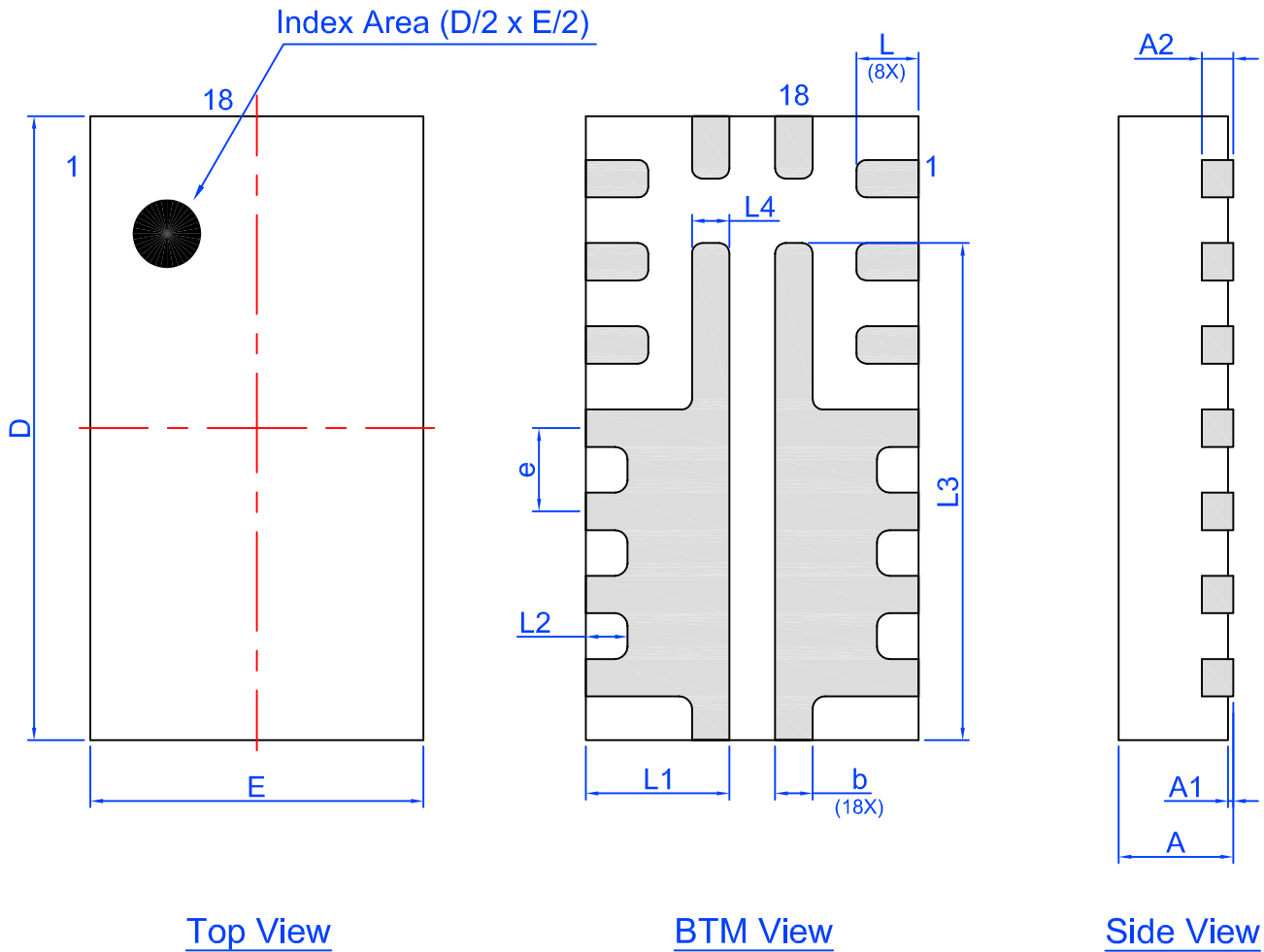
- 1006V - Part ID Field
- WW - Date Code Field<sup>1</sup>
- NNN - Lot Traceability Code Field<sup>1</sup>
- A - Assembly Site Code Field<sup>2</sup>
- RR - Part Revision Code Field<sup>2</sup>

Note 1: Each character in code field can be alphanumeric A-Z and 0-9  
Note 2: Character in code field can be alphabetic A-Z



**Package Drawing and Dimensions**

18 Lead TQFN Package 1.6 x 3 mm (Fused Lead)  
JEDEC MO-220, Variation WCEE



Unit: mm

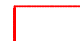
Symbol	Min	Nom.	Max	Symbol	Min	Nom.	Max
A	0.50	0.55	0.60	D	2.95	3.00	3.05
A1	0.005	-	0.05	E	1.55	1.60	1.65
A2	0.10	0.15	0.20	L	0.25	0.30	0.35
b	0.13	0.18	0.23	L1	0.64	0.69	0.74
e	0.40 BSC			L2	0.15	0.20	0.25
L3	2.34	2.39	2.44	L4	0.13	0.18	0.23

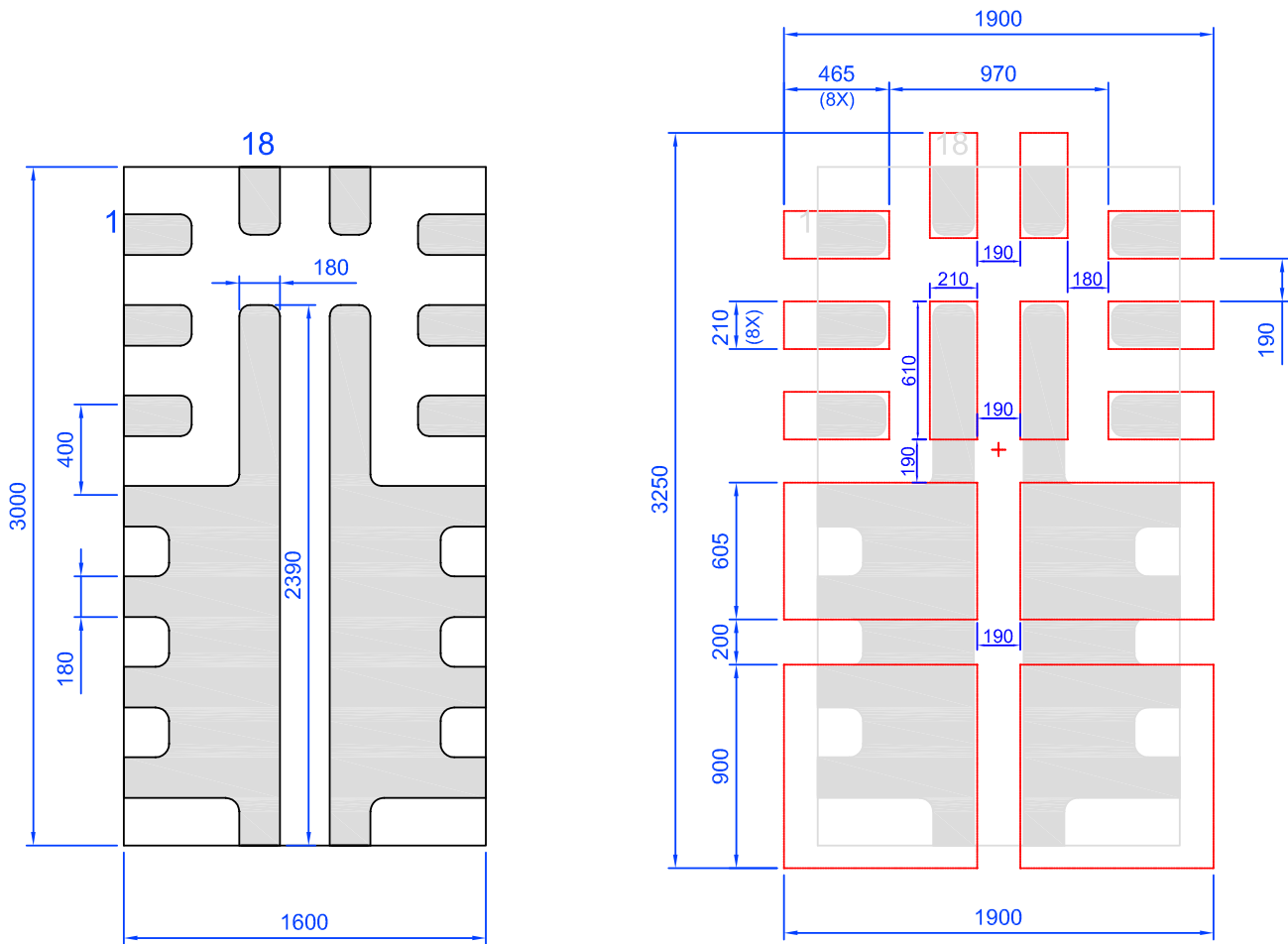




### SLG59H1006V 18-pin STQFN PCB Landing Pattern

 Exposed Pad  
(PKG face down)

 Recommended Land Pattern  
(PKG face down)



Note: All dimensions shown in micrometers (μm)

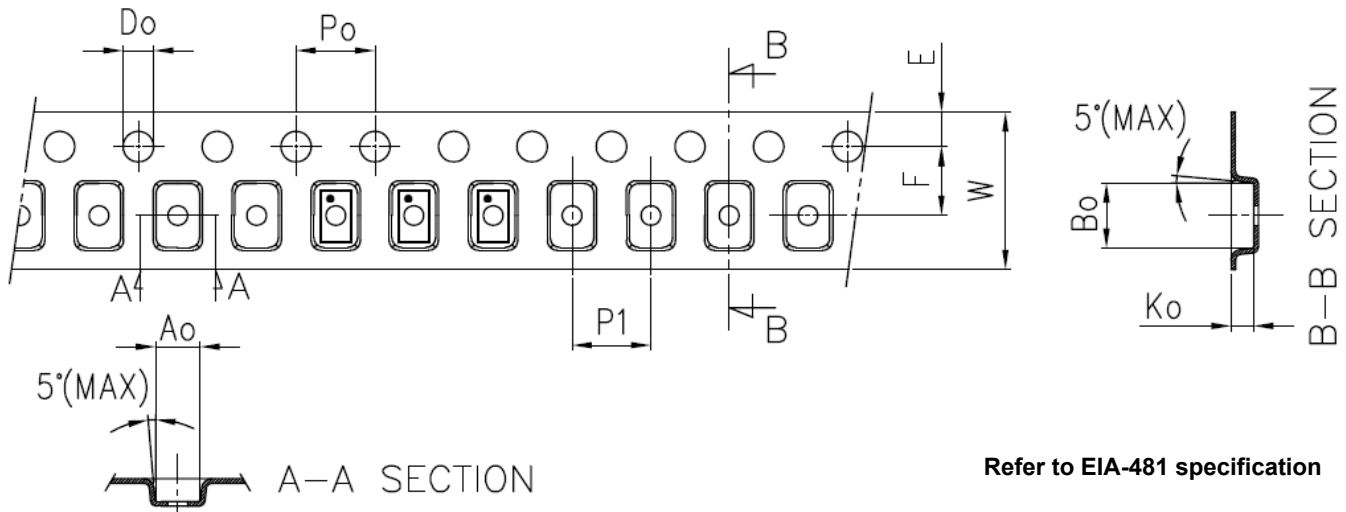


**Tape and Reel Specifications**

Package Type	# of Pins	Nominal Package Size [mm]	Max Units		Reel & Hub Size [mm]	Leader (min)		Trailer (min)		Tape Width [mm]	Part Pitch [mm]
			per Reel	per Box		Pockets	Length [mm]	Pockets	Length [mm]		
STQFN 18L 0.4P FC Green	18	1.6 x 3 x 0.55	3,000	3,000	178 / 60	100	400	100	400	8	4

**Carrier Tape Drawing and Dimensions**

Package Type	Pocket BTM Length	Pocket BTM Width	Pocket Depth	Index Hole Pitch	Pocket Pitch	Index Hole Diameter	Index Hole to Tape Edge	Index Hole to Pocket Center	Tape Width
	A0	B0	K0	P0	P1	D0	E	F	W
STQFN 18L 0.4P FC Green	1.78	3.18	0.76	4	4	1.5	1.75	3.5	8



**Recommended Reflow Soldering Profile**

Please see IPC/JEDEC J-STD-020: latest revision for reflow profile based on package volume of 2.64 mm<sup>3</sup> (nominal). More information can be found at [www.jedec.org](http://www.jedec.org).



---

**Revision History**

Date	Version	Change
2/24/2017	1.00	Production Release