

## Introduction

An acoustic relay can be used to control devices (light switcher, electric heater, air cooler etc.) in response to a sound, or series of sounds.

## How does it work?

An acoustic relay changes its output state only after some predefined number of acoustic signals (in our case it is equal to 2 claps), which should come sequentially for some period of time. If number of claps is greater, less, or the pause between claps is greater than defined, the acoustic relay won't change its output state.

After a simple modification, this device can be used as an acoustic controller. It will monitor the number of acoustic signals and change its output state accordingly. For example, if one acoustic sound comes, a light will be turned on, if two – heater, if three – air conditioner. Illumination can be controlled in the room, air conditioner mode can be chosen, motor speed can be controlled, etc.

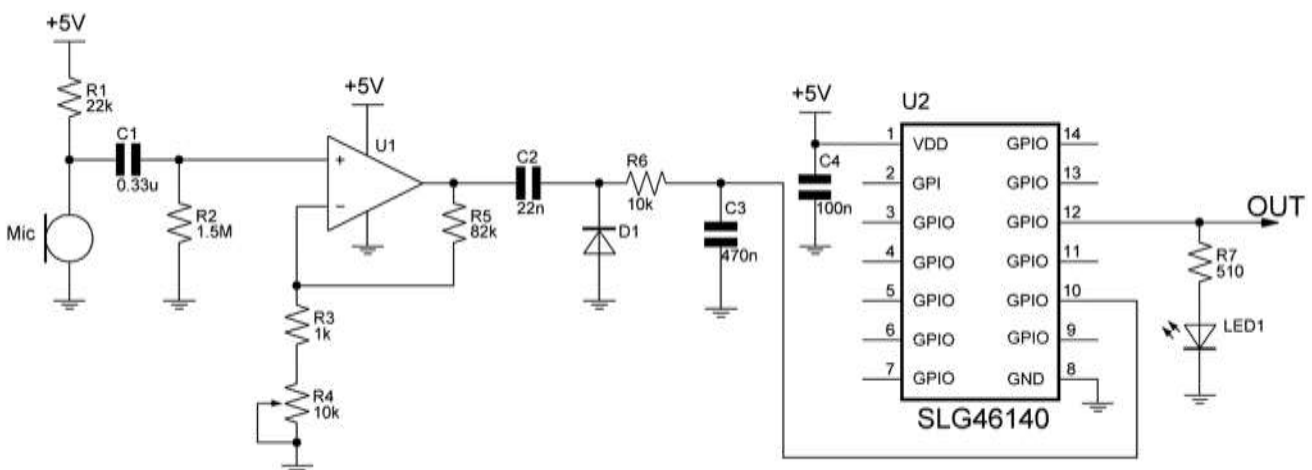
## System description

This acoustic relay consists of a microphone, non-inverting amplifier, diode detector, low frequency filter, and analyzing circuit.

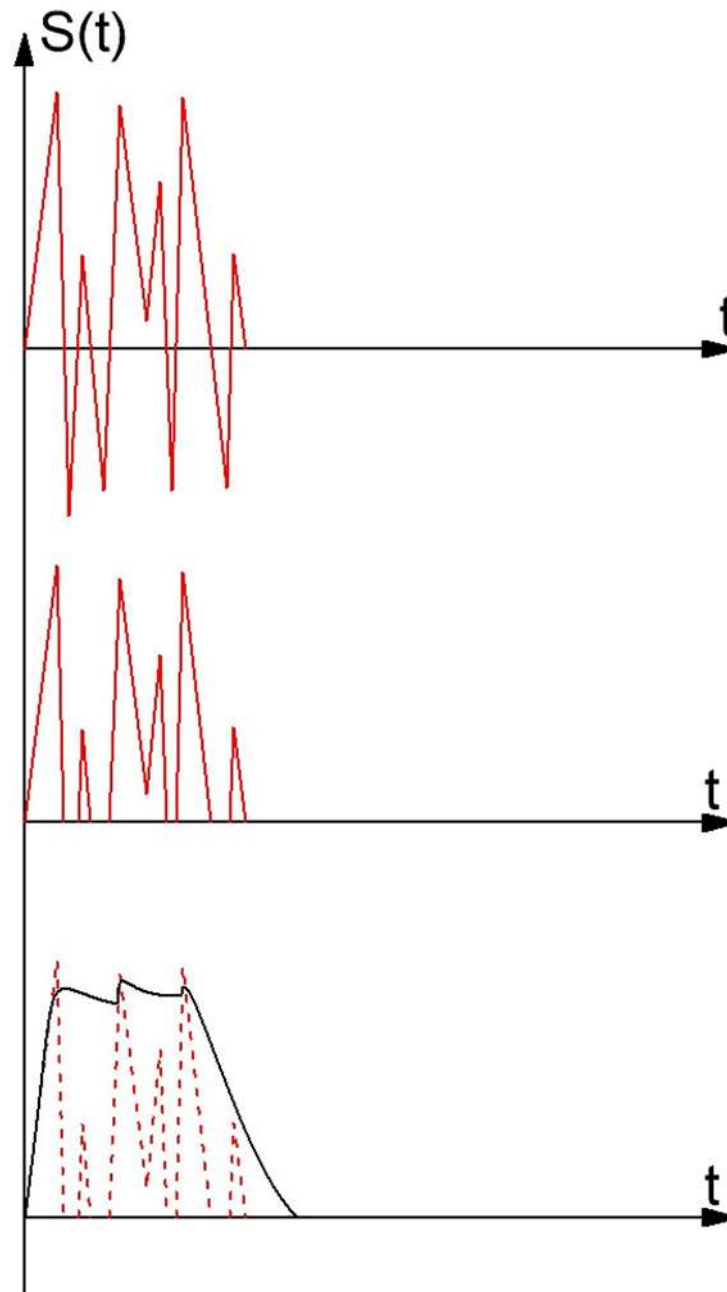
## Device operating principles

A clap generates a short, large amplitude pulse on the microphone's output. It goes through the capacitor C1 to OPAMP (U1) input with variable amplifying coefficient (from 7.5 to 82, changed by R4) for the sensitivity setting. After amplifying, this pulse will be detected as illustrated in Figure 2.

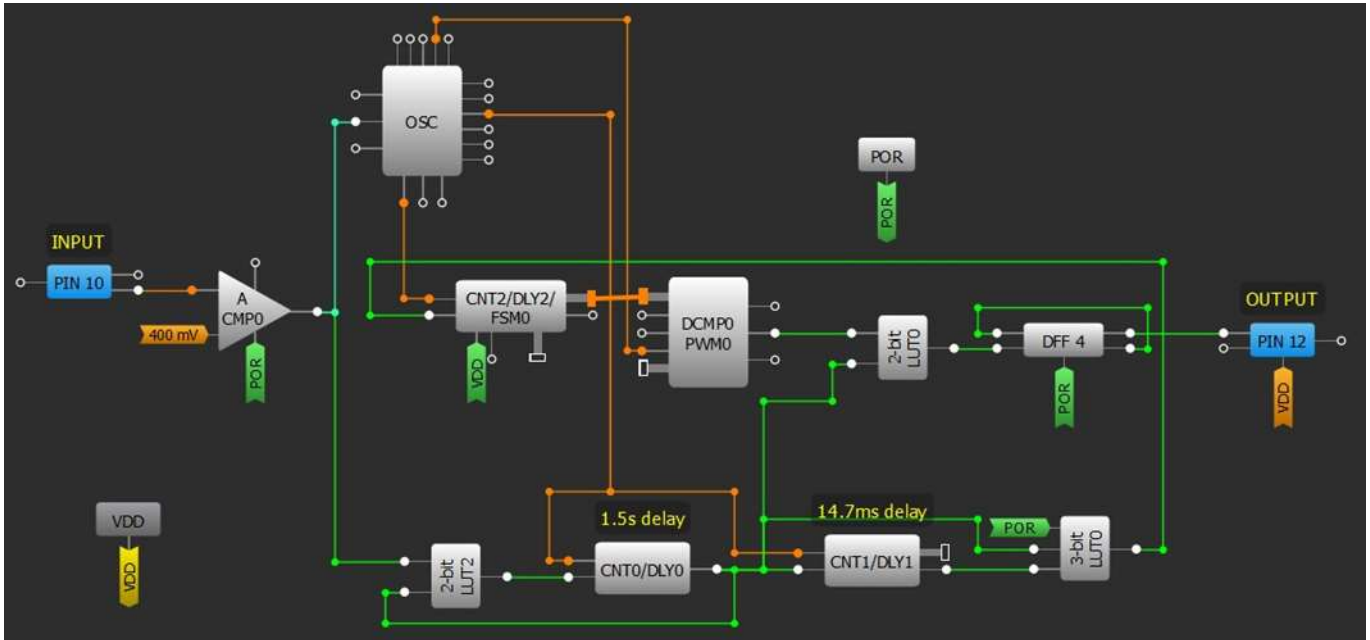
It is recommended to use diodes with small forward drop voltage (germanium or Schottky diodes), to minimize sensitivity loss. After detection, the pulse will be filtered and sent to PIN10 of GreenPAK4 IC.



**Figure 1. Device circuit**



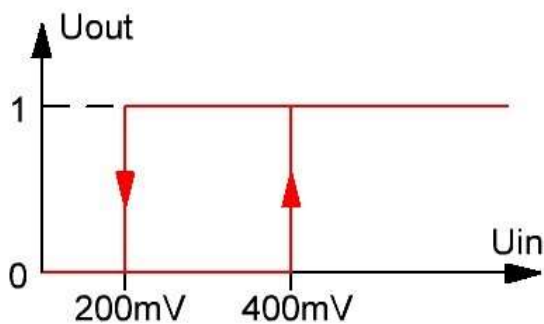
**Figure 2. Detection and filtration process**



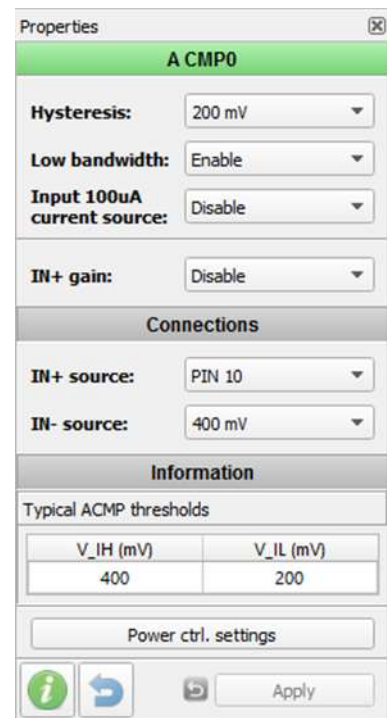
**Figure 3. Design circuit**

PIN 10 is configured as an analog input with 100K pull-down resistor for C3 capacitor discharge.

The pulse arrives at the ACOMP0 input, where it will be compared with a 400mV reference voltage. ACOMP0 hysteresis is enabled to prevent noise on the output.



**Figure 4. ACOMP0 thresholds**

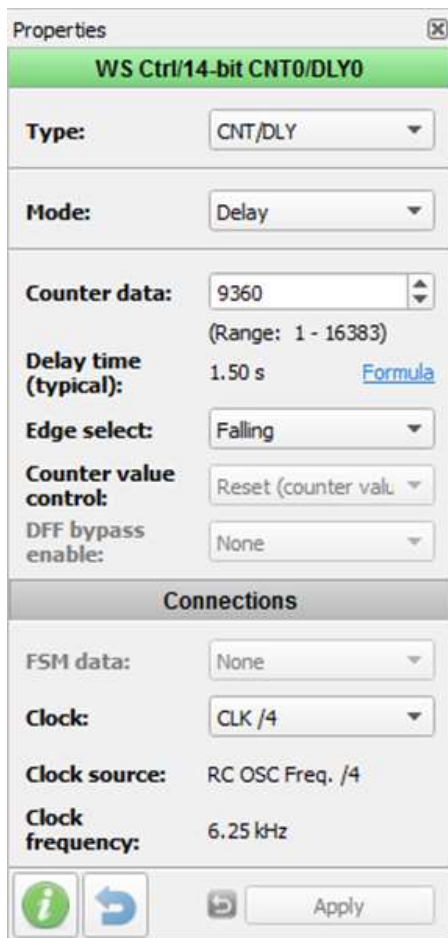


Typical ACOMP thresholds	
V <sub>IH</sub> (mV)	V <sub>IL</sub> (mV)
400	200

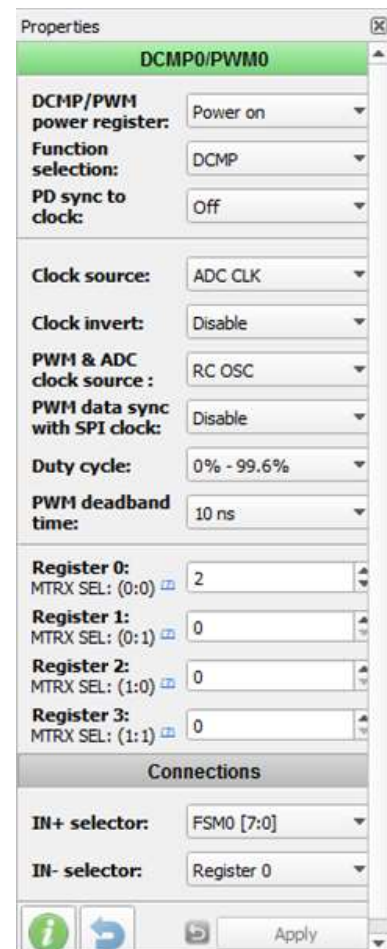
**Figure 5. ACOMP0 properties**

If the input pulse exceeds ACMP0 threshold, an output pulse appears, which goes to the CNT2 input. CNT2 (up counting) data buss is connected to DCMP0, which compares CNT2 counter data with register 0 (DCMP EQ output goes High when data are equal). Changing register 0 values, it is possible to control the desired number of claps. DCMP0 out is connected to 2-bit LUT0. The ACMP0 output pulse also goes to the delay circuit based on 2-bit LUT2 and DLY0, which creates a 1.5 sec pulse (regardless of incoming pulses at the same time) and blocks 2-bit LUT0. DCMP0 EQ signal doesn't arrive at the 2-bit LUT0 during DLY0 operation.

ACMP0 output pulse also goes to the delay circuit based on 2-bit LUT2 and DLY0, which creates a 1.5 sec pulse (regardless of incoming pulses at the same time) and blocks 2-bit LUT0. DCMP0 EQ signal doesn't arrive at the 2-bit LUT0 during DLY0 operation. If DCMP0 EQ is High, after DLY0 duration it will arrive at the 2-bit LUT0 and will change DFF4 state to inverse. If Low – nothing will be changed. DFF4 inverted output is connected to its D input, so DFF4 operates as a 1-bit counter. DFF4 nReset is connected to POR, which provides the reset when VDD is switched.



**Figure 6. DLY0 properties**



**Figure 7. DCMP0 properties**

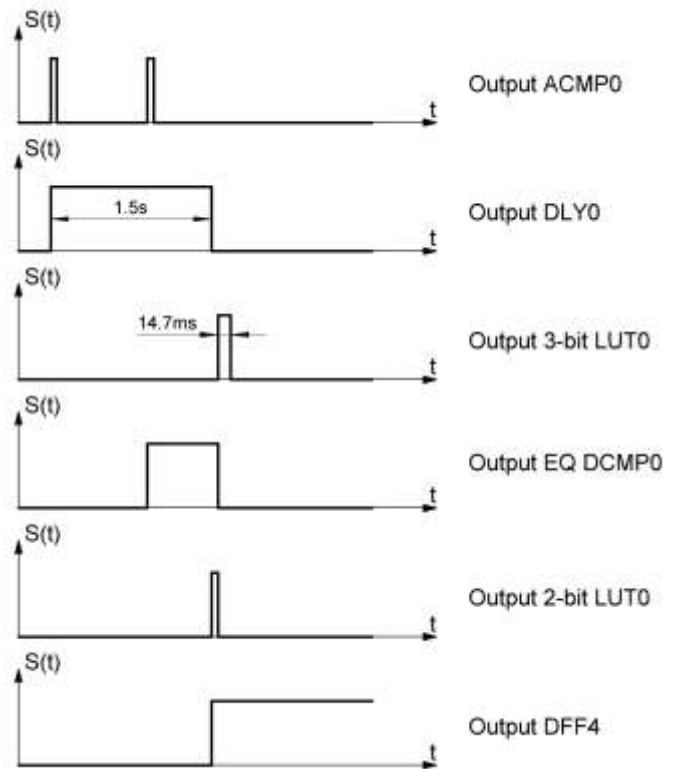


2-bit LUT0				
IN3	IN2	IN1	IN0	OUT
0	0	0	0	0
0	0	0	1	0
0	0	1	0	1
0	0	1	1	0

**Figure 8. 2-bit LUT0 and 2-bit LUT2 properties**

3-bit LUT0				
IN3	IN2	IN1	IN0	OUT
0	0	0	0	1
0	0	0	1	1
0	0	1	0	1
0	0	1	1	1
0	1	0	0	0
0	1	0	1	1
0	1	1	0	0
0	1	1	1	0

**Figure 9. 3-bit LUT0 properties**



**Figure 10. Design timing diagram**

DLY1 and 3-bit LUT0 are used to make CNT2 reset on the falling edge of DLY0, or when VDD is taken off.

## Conclusion

Using the SLG46140V allowed the following significant advantages:

- Lower power consumption
- Smaller size (22 mm × 30 mm)
- Lower overall cost

Using the GreenPAK made the design of this acoustic relay easier and faster. Using this circuit one can create many other useful devices such as controllers for electric heaters, air coolers etc.



### **About the Author**

Name: Ivan Vaskiv

Background: Ivan Vaskiv received a bachelor's degree of National University "Lviv Polytechnic" Institute of telecommunications, radioelectronics and electronic engineering, specialty "Radioelectronics". Currently studying at the master of the same university, specialty "Radio communication, broadcasting and television." He has practical experience in the field of electronics.

Contact: [\*\*appnotes@silego.com\*\*](mailto:appnotes@silego.com)

## Document History

Document Title: Acoustic relay

Document Number: AN-1145

Revision	Orig. of Change	Submission Date	Description of Change
A	Ivan Vaskiv	09/29/2016	New application note

## Worldwide Sales and Design Support

Silego Technology maintains a worldwide network of offices, solution centers, manufacturer's representatives, and distributors. To find the sales person closest to you, visit us at **Sales Representatives and Distributors**.

## About Silego Technology

Silego Technology, Inc. is a fabless semiconductor company headquartered in Santa Clara, California, with operations in Taiwan, and additional design/technology centers in China, Korea and Ukraine.



**Silego Technology Inc.**  
1515 Wyatt Drive  
Santa Clara, CA 95054

**Phone:** 408-327-8800  
**Fax:** 408-988-3800  
**Website:** [www.silego.com](http://www.silego.com)